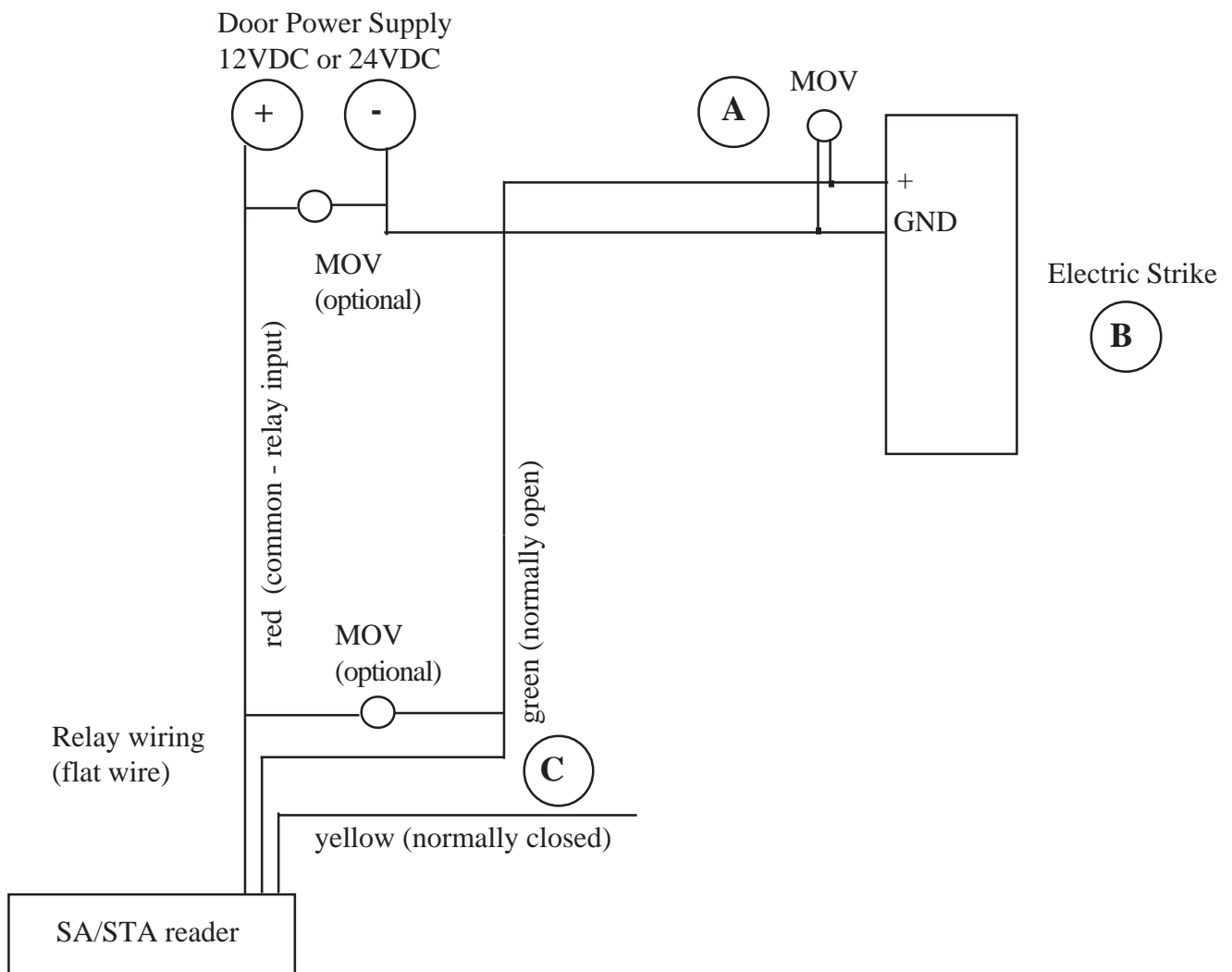




Relay Wiring



- (A)** If your strike does not have a built in MOV (metal oxide varistor), connect an MOV on the line to reduce backward voltage.
- (B)** The electric strike should be a maximum of 24VDC, 1/2 amp power draw. If the power draw is more than 1/2 amp, contact IBC for additional instructions as an additional relay will be required in the circuit.
- (C)** Use the normally open or normally closed wire depending on the requirements of your installation.



Rs422 Wiring

Power

Red	+VDC
Blue	GND

Communications

Green	Reader Xmit +
White	Reader Xmit -
Yellow	Reader Receive +
Orange	Reader Receive -



Communications/Power Line
(round cable)

SA/STA reader

If using a supplied IBC AC adaptor, connect the adaptor directly to the supplied pigtail connector, and then connect the pigtail wires to the power wires (red and blue). The copper wire of the pigtail is +, the silver wire is -.

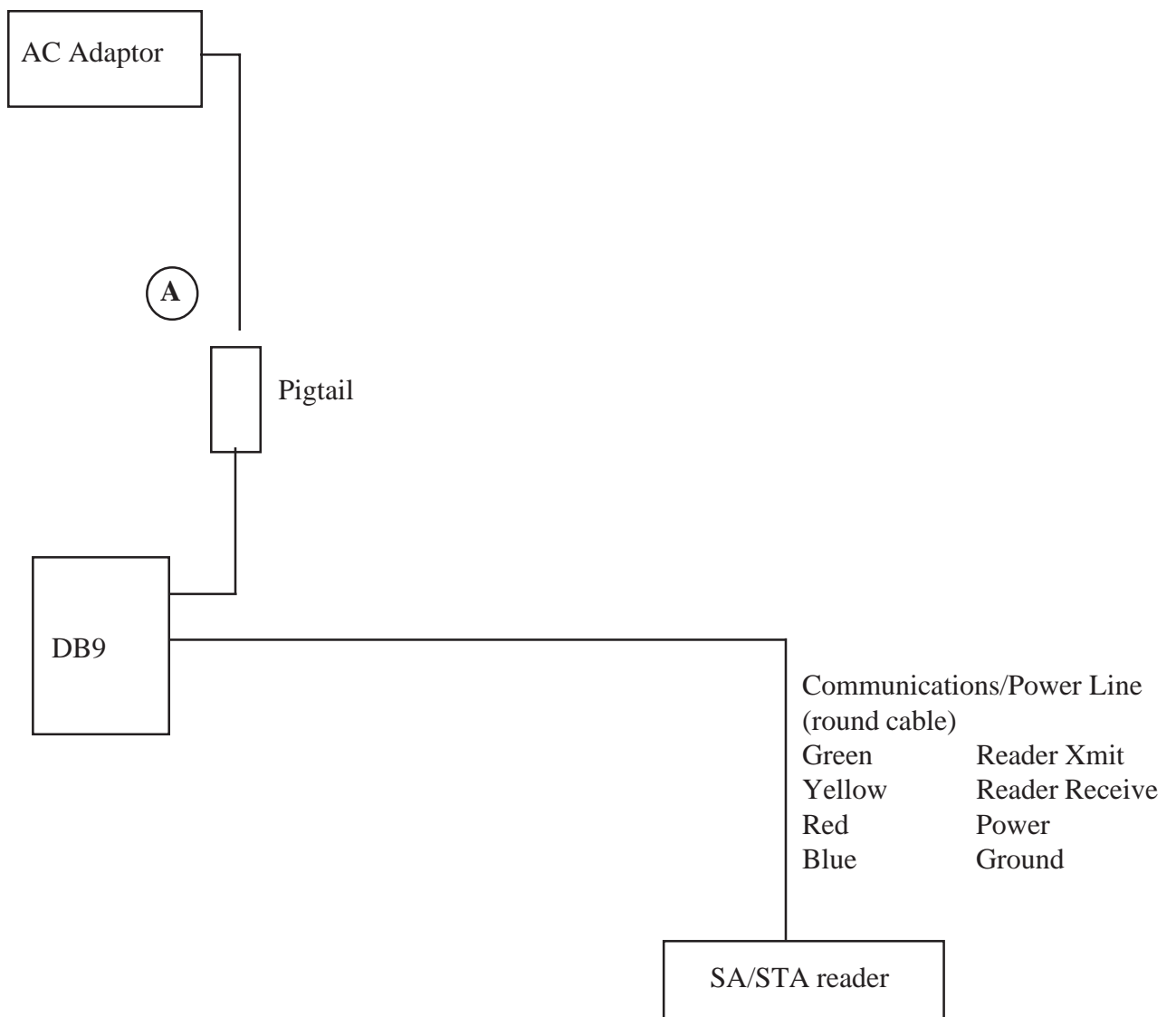
If powering the reader from the electric strike power supply, connect the RED to the power supply + line, and the BLUE to the power supply - line. Make sure your reader and power supply voltage match.



Please note that the reader TX connections are connected to the RS422 convertor RX connections and vice versa.



Rs232 Wiring



Ⓐ

Connect the supplied AC Adaptor to the pigtail connector, or, if you do not want to use the ac adaptor and power the reader directly, cut the pigtail wire and connect the silver pigtail wire to ground, and the copper pigtail wire to +VDC.